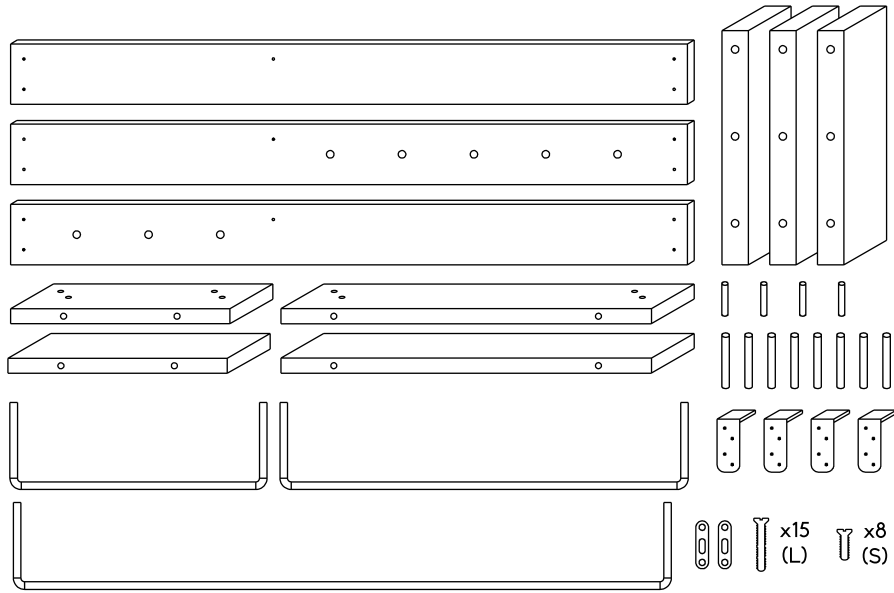


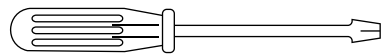
**Beauty is not
symmetry of parts.**

ASYMMETRIC INSTRUCTIONS

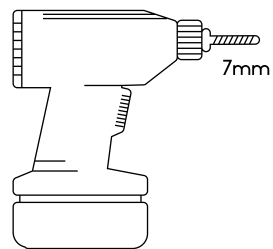
WE GIVE YOU...



YOU WILL ALSO NEED...



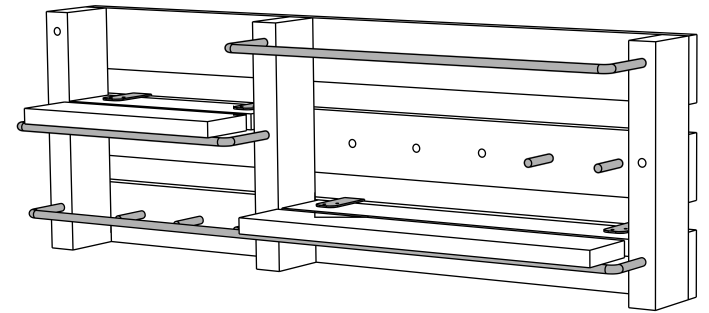
To build your molet-



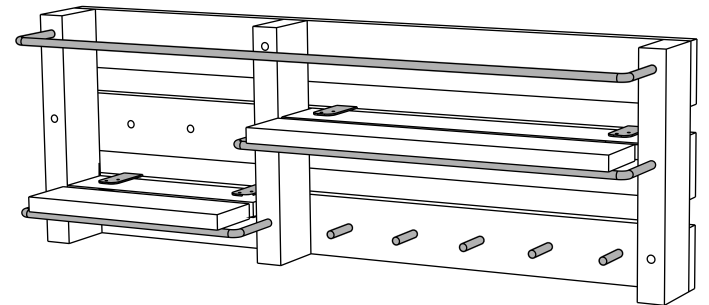
To hang it on your wall-

DESIGNS YOU CAN MAKE

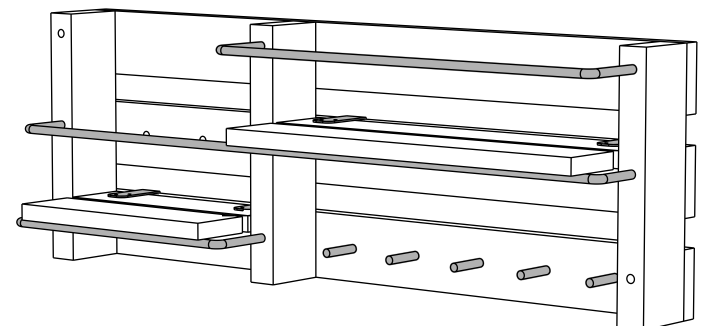
A



B

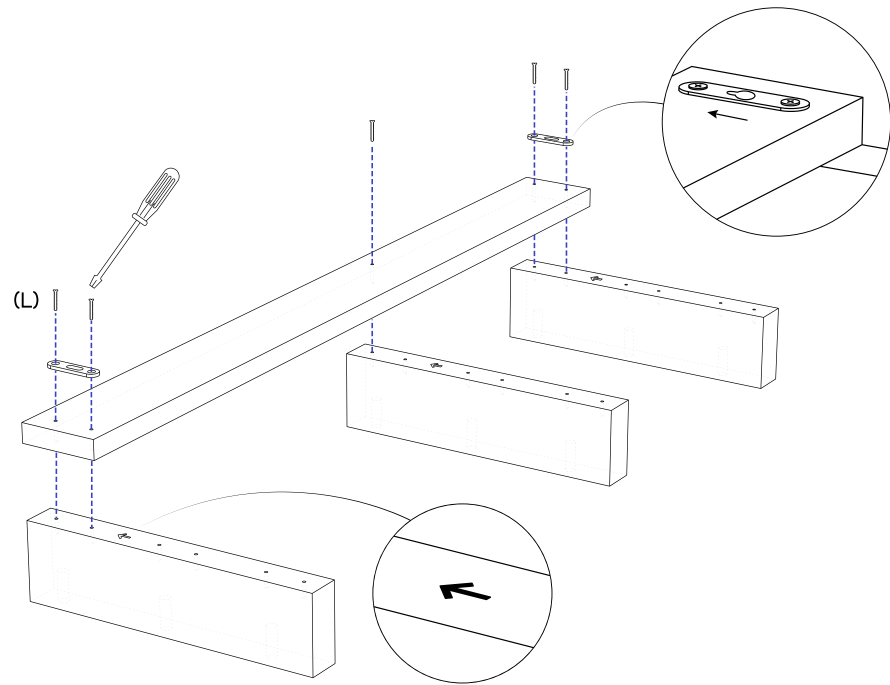


C

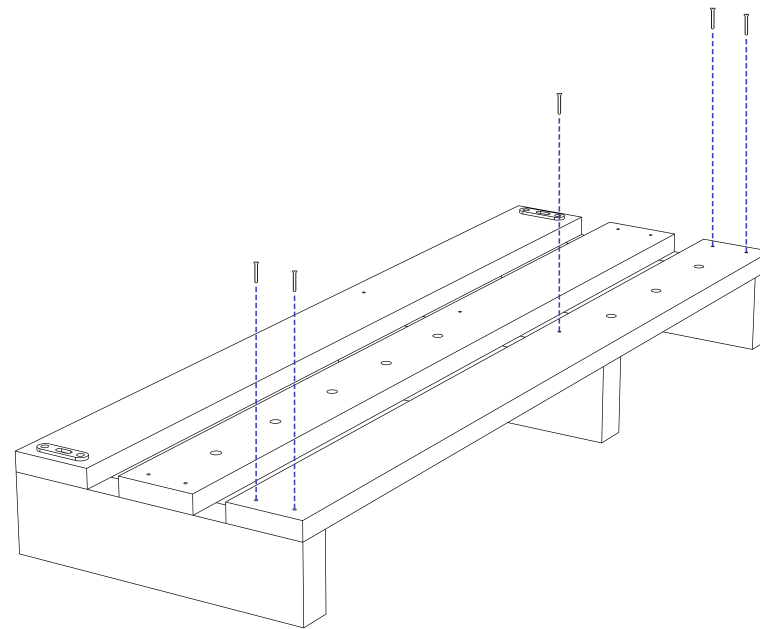


Or create your own design!

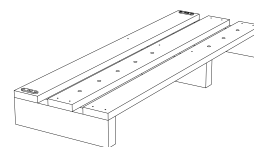
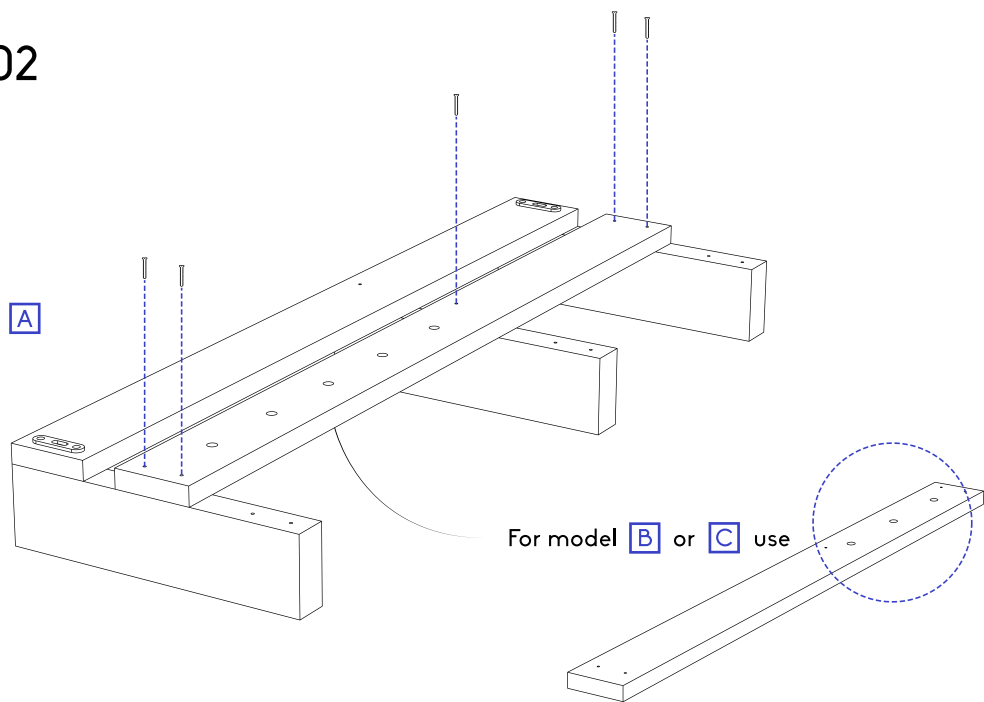
01



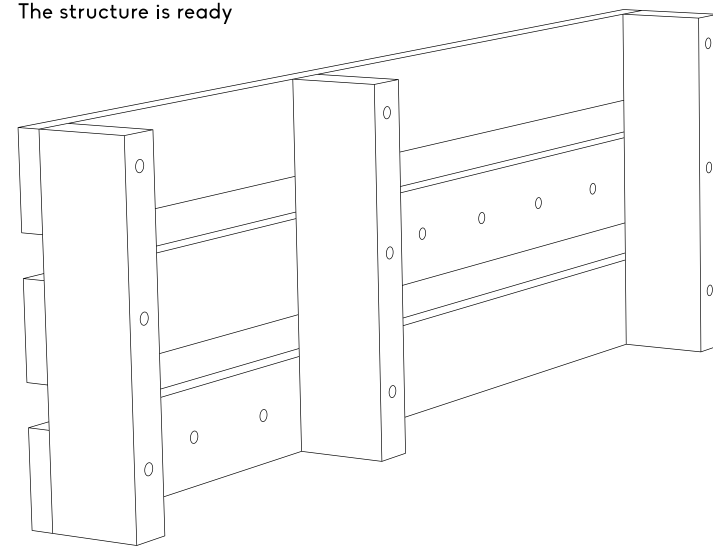
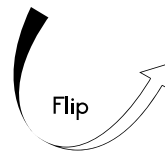
03



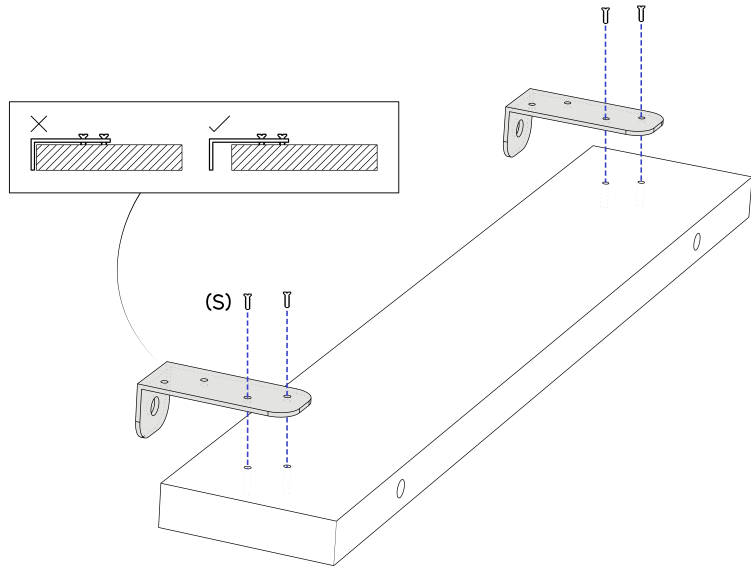
02



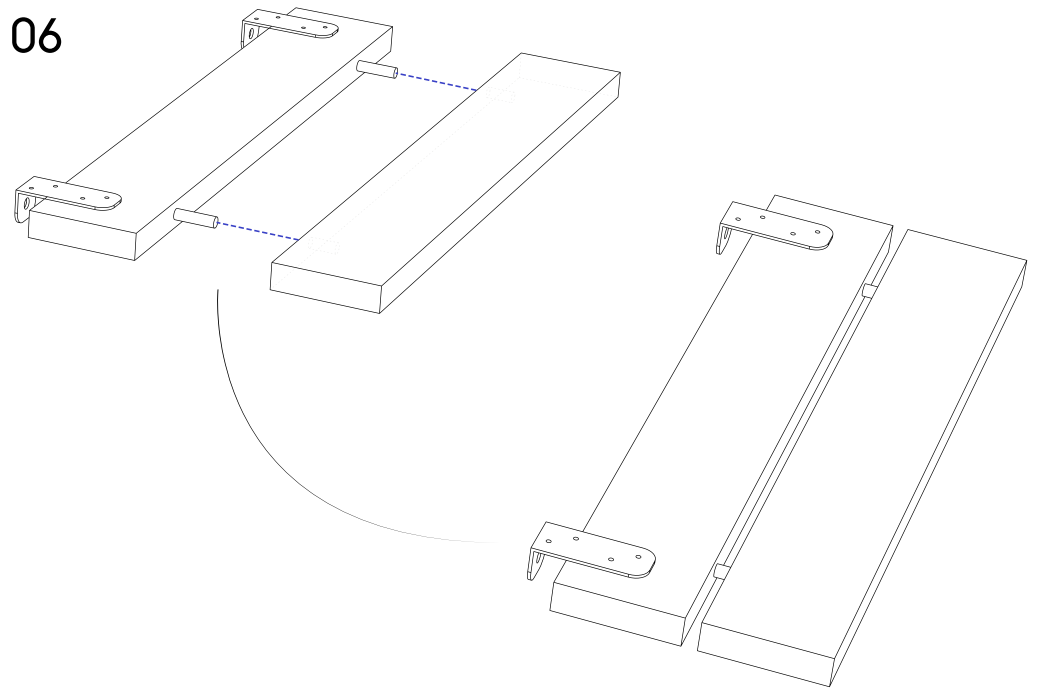
The structure is ready



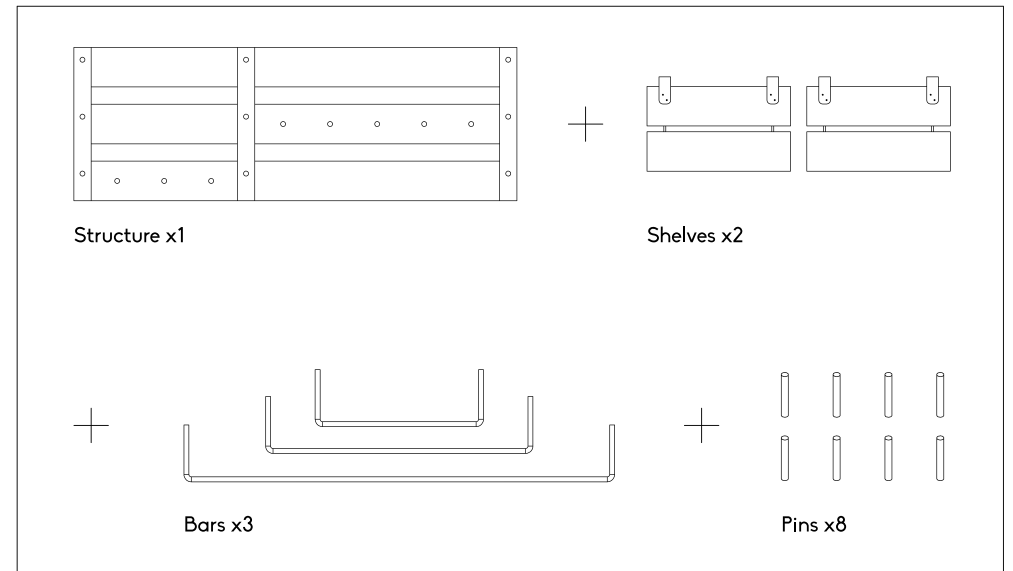
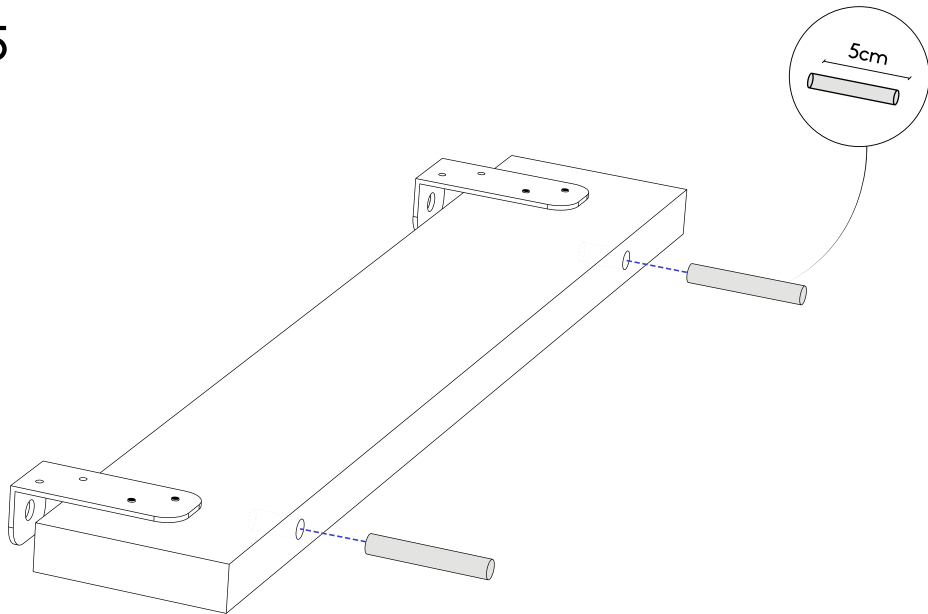
04 Shelf assembly (x2)



06

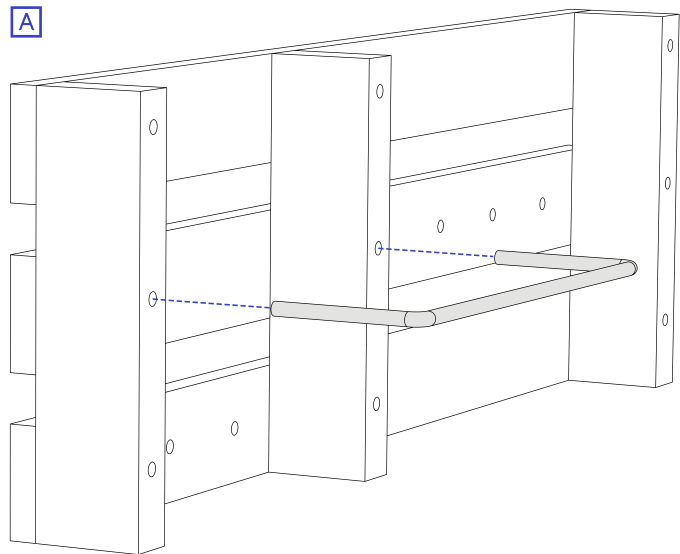


05

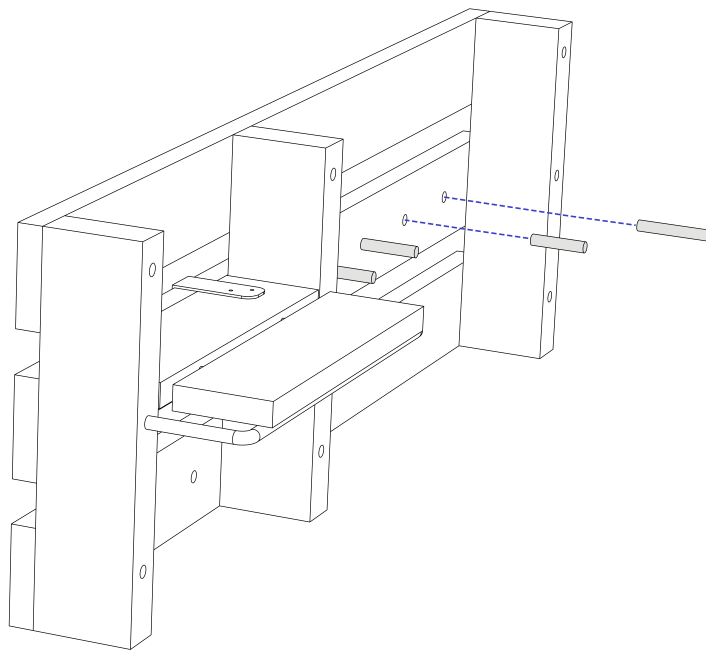


07

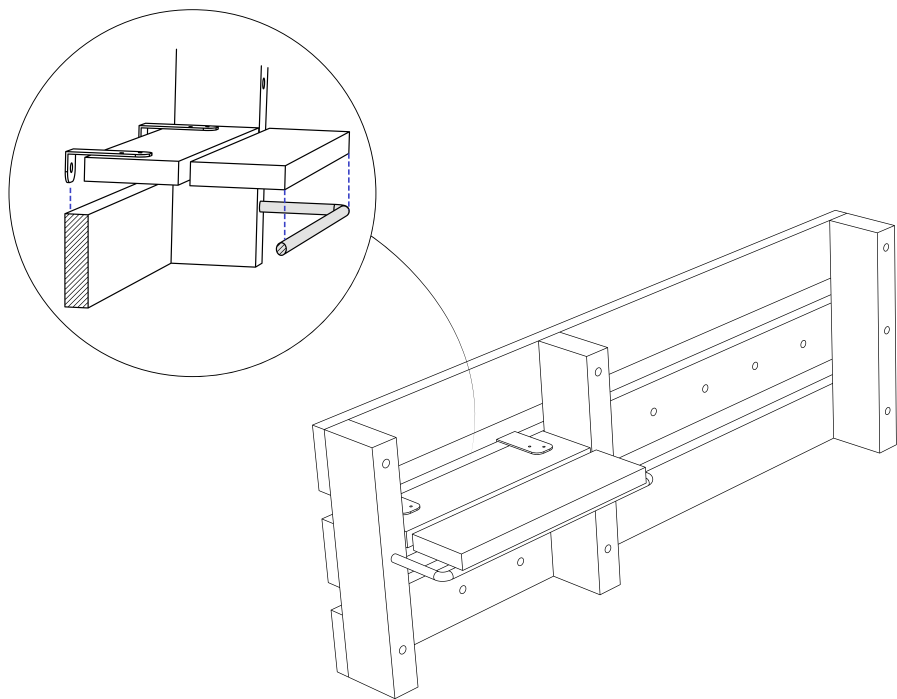
A



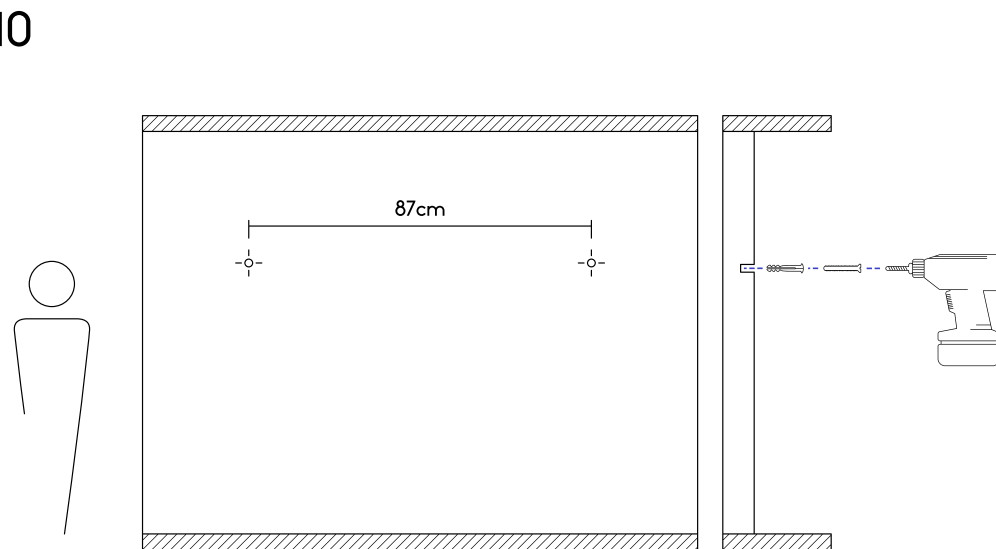
09



08



10



GREAT JOB!

Share your MOLET with us

[f /MOLETproject](#)

[www.molet.org](#)

[molet_project](#)

[✉ hola@molet.org](mailto:hola@molet.org)

